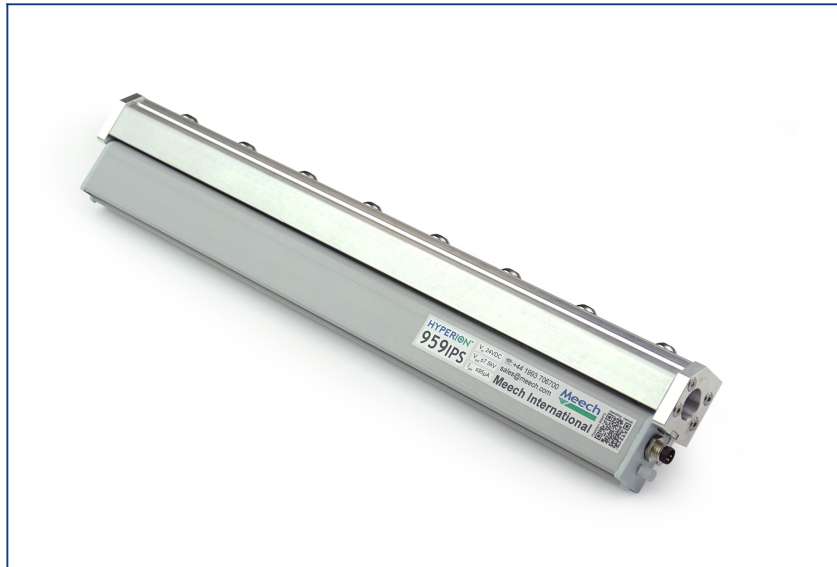


Hyperion 959IPS Ionising Air Curtain



Product Code: A959IPS

The Hyperion 959IPS ionising air curtain is an extremely versatile product that provides effective static neutralisation and dust removal for a wide range of industrial applications.

The unit comprises a Hyperion 924IPS mounted on a Meech energy saving air curtain. Combined they provide a high speed laminar sheet of ionised air.

As with other Hyperion products, the 959IPS features Meech's Ion Current Monitoring (ICM) technology, which ensures performance is maintained with local and remote alerts when the bar needs cleaning.

Fully BarMaster compatible, the frequency and balance can be adjusted to optimise performance.

Features

Benefits

Optimum Working Distance	20-300mm for dust removal combined with a typical effective ionisation range of up to 300mm.
Energy Efficient Air Curtain	Can cut compressed air demand by up to 70%, reducing running costs.
Low Voltage Wiring	Requiring a 24V DC supply removes the need for high voltage wiring to the ionising bar.
Integrated Power Supply (IPS)	The integral pulsed DC power supply uses surface-mount high voltage components. This reduces the overall size of the bar.
Adjustable Output	Output voltage, frequency and balance can be adjusted using the BarMaster programmer. Adjustable output optimises the bar for a range of applications.
Adjustable Clean Pin Alert	Meech Ion Current Monitoring (ICM) technology detects when the 924IPS needs to be cleaned. The LED on the bar alerts operators of the need for cleaning. This ensures peak performance is maintained.
Environmental Protection	IP66 construction makes the ionising air curtain suitable for harsh environments.
Remote Signal	An output signal will activate when the bar needs cleaning or a fault has been detected. This will alert operators remotely to attend the bar.

Product shown in this document may be covered by one or more patents, patents applied for and/or registered designs and/or trade marks. For further information please refer to our Head Office or visit www.meech.com.

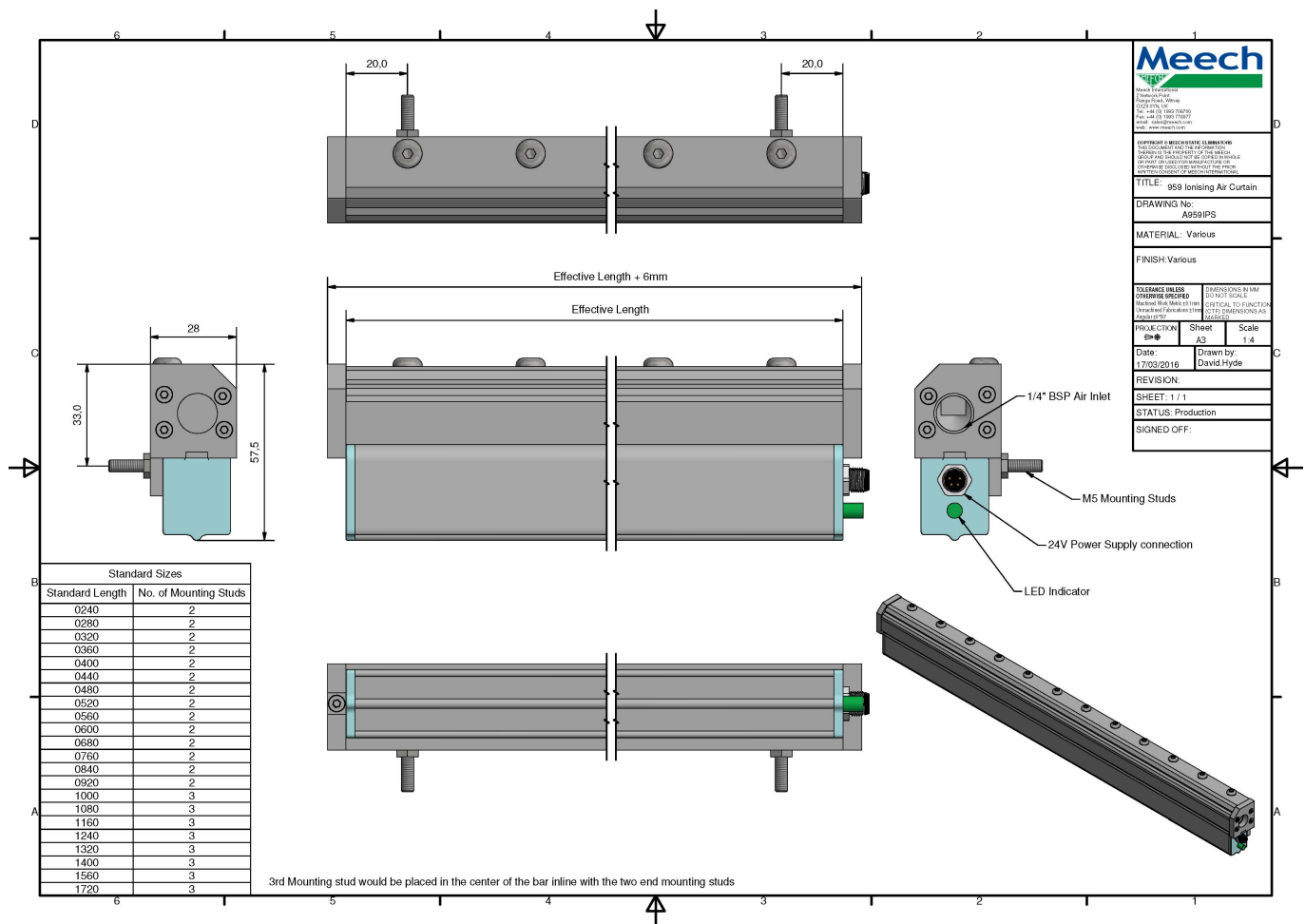
Product Data Sheet

Published Date: 06.06.2016



Technical Characteristics

Dimensions (WxH)	28mm x 59mm (Maximum Length 1800mm)
Weight	2.1kg/metre
Construction	FR ABS / Aluminium
Input Current	Max 500mA
Input Voltage	24V DC (21-27V DC)
Output Voltage	Adjustable, +/- 3 to 7.5kV pulsed DC
Output Frequency	Default: 20Hz (Adjustable with BarMaster)
Output Balance	Default: 54% Positive, 46% Negative (Adjustable with BarMaster)
Environmental Protection	IP66
Mounting	'T' Slot with M4 x 20mm studs
Emitters	Sharp Titanium Pins
Max Ambient Temperature	60°C
Air Curtain Connection	1/4" BSP
Air Consumption	112 l/min at 5 Bar per 25mm of length



Meech
 2 Thomas Road
 Castle Hill, Milling
 Castle Hill, Co. Wick
 Tel: +353 (0) 162 70700
 Fax: +353 (0) 162 70701
 Email: sales@meech.com
 Web: www.meech.com

DISCLAIMER
 MEECH AND STATIC ELIMINATORS
 IS A TRADE MARK OF MEECH INTERNATIONAL
 MEECH AND STATIC ELIMINATORS IS A REGISTERED
 TRADE MARK OF MEECH INTERNATIONAL
 MEECH AND STATIC ELIMINATORS IS A REGISTERED
 TRADE MARK OF MEECH INTERNATIONAL

TITLE: 259 Ionising Air Curtain
DRAWING No: A259IPS
MATERIAL: Various
FINISH: Various

TOLERANCE UNLESS OTHERWISE SPECIFIED
 DIMENSIONS IN MM
 CRITICAL TO FUNCTION
 DIMENSIONS IN AS
 DIMENSIONS AS SPECIFIED

PROJECTION Sheet Scale
 A3 1:4

Date: 17/03/2016 **Drawn by:** David Hyde
REVISION:
SHEET: 1 / 1
STATUS: Production
SIGNED OFF:

Product shown in this document may be covered by one or more patents, patents applied for and/or registered designs and/or trade marks. For further information please refer to our Head Office or visit www.meech.com.

Meech International

UK: +44 1993 706 700
 Hungary: +36 1 7977039

US: +1 330 564 2000
 China: +86 400 820 0102

Belgium: +32 (0)80 670 204
 India: +91 20-26159641

email: sales@meech.com
 web: www.meech.com

