

971 Pulsed DC Bar



Product Code: 971

The 971 Pulsed DC bar delivers powerful, long range ionisation to control static electricity on a wide range of printing, converting and process machinery.

Using reliable Pulsed DC technology, the 971 delivers industry leading ionisation performance. Its great long range ability makes it ideal for use on applications such as rewinds and collection bins. In most installations, complete static control can be achieved without the need for air assistance. For more demanding applications, the integrated air-boost can be used to increase its capability at distance. Meech's ever reliable titanium emitter system gives extra-long service life. Resistive coupling makes the bar shockless to touch and safe for operators to handle. The design has been optimised to reduce the effects of contamination and to allow easy maintenance.

Features

Benefits

Powerful long range Ionisation	Excellent static control on modern, fast machinery
Rigid profile	Minimises the number of mounting points required
Resistive coupling	Safe for operators to handle
Titanium emitter pins	Continue to give good ionisation after years of use
Replaceable emitter assemblies	Allows periodic replacement to extend service life
'T' slot mountings	Provides complete flexibility of mounting points
Integrated air-boost	Increased performance for demanding applications

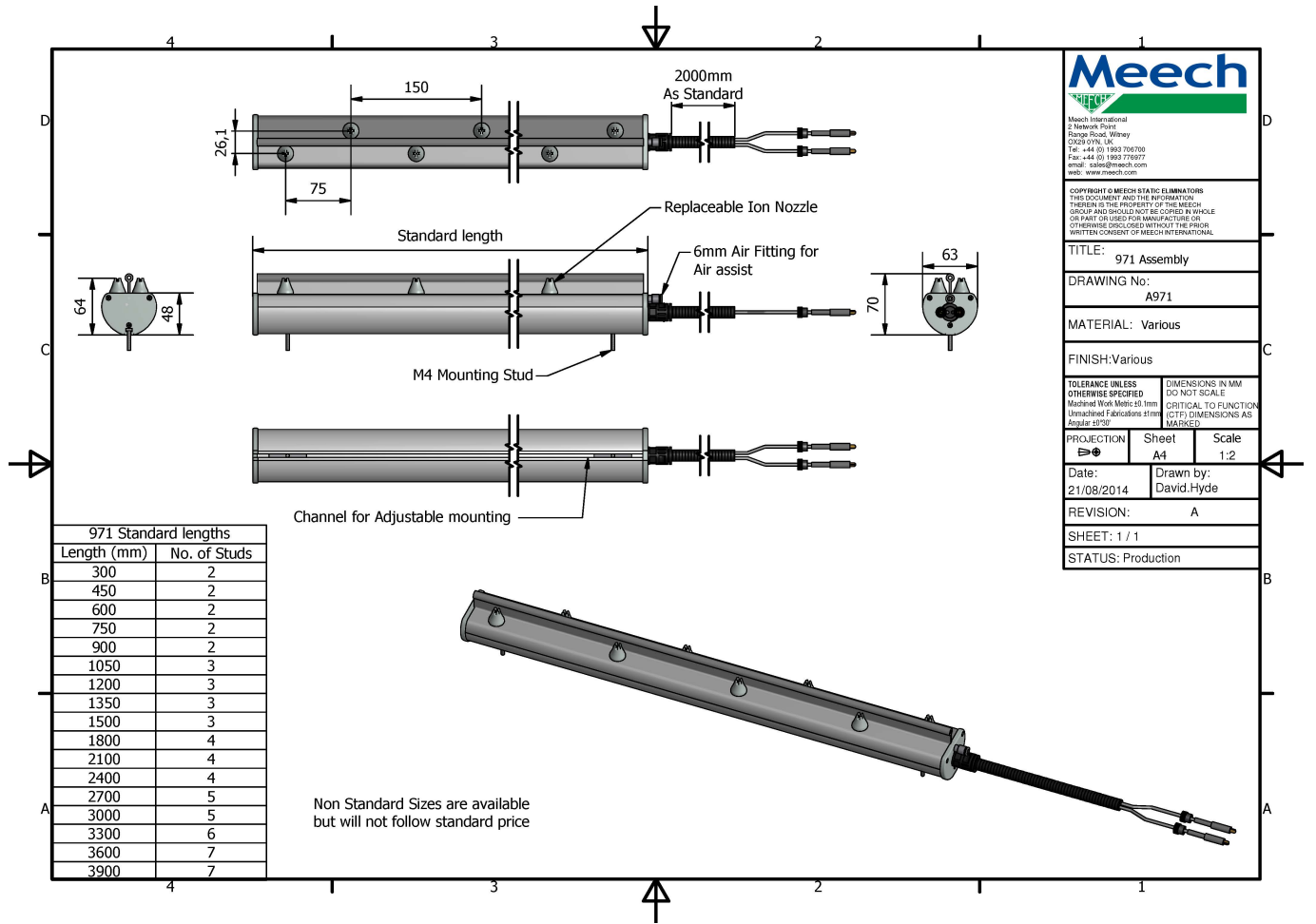
Technical Characteristics

Dimensions (cross section)	63mm x 72mm
Maximum length	3900mm
Weight	1.2 kg/metre
Construction	ABS Plastic FR
Mounting	'T' Slot with M4 x 20 studs
Cable length	2000mm HT in flexible plastic conduit, longer available.
Emitters	Sharp titanium pins
Power source	977v3 or 977CM
Input voltage	Up to 15KV
Output frequency	1Hz - 20Hz
Air-boost connection	6mm push-fit
Air consumption	5 cfm per 1000mm at 1 bar
Typical Operating Range	150 - 750mm

Product shown in this document may be covered by one or more patents, patents applied for and/or registered designs and/or trade marks. For further information please refer to our Head Office or visit www.meech.com.

Product Data Sheet

Published Date: 09.12.2013



Meech
Meech International
2 Network Point
Ridge Road, Wilroy
OX20 0YB, UK
Tel: +44 (0) 1893 706700
Fax: +44 (0) 1893 706707
email: sales@meech.com
web: www.meech.com

COPYRIGHT © MEECH STATIC ELIMINATORS
THIS DOCUMENT AND THE INFORMATION
THEREIN IS THE PROPERTY OF THE MEECH
GROUP AND SHOULD NOT BE COPIED IN WHOLE
OR PART OR USED FOR MANUFACTURE OR
OTHERWISE DISCLOSED WITHOUT THE PRIOR
WRITTEN CONSENT OF MEECH INTERNATIONAL

TITLE: 971 Assembly
DRAWING No: A971
MATERIAL: Various
FINISH: Various

TOLERANCE UNLESS OTHERWISE SPECIFIED
Machine Work Metric: ±0.1mm
Unmachined Fabrications: ±1mm
Angular: ±30° DIMENSIONS IN MM
DO NOT SCALE
CRITICAL TO FUNCTION
G1 (F) DIMENSIONS AS
MARKED

PROJECTION Sheet Scale
A4 1:2

Date: 21/08/2014 **Drawn by:** David Hyde
REVISION: A
SHEET: 1 / 1
STATUS: Production

Product shown in this document may be covered by one or more patents, patents applied for and/or registered designs and/or trade marks. For further information please refer to our Head Office or visit www.meech.com.

Meech International

UK: +44 1993 706 700
Hungary: +36 1 7977039

US: +1 330 564 2000
China: +86 400 820 0102

Belgium: +32 (0)80 670 204
India: +91 20-26159641

email: sales@meech.com
web: www.meech.com

