

942 Ionising Nozzle



Product Code: 942

The Meech Model 942 is a small, lightweight in-line ionising air nozzle with highly efficient air flow characteristics. It can be used either as a single unit (Blank End) or with two or more units connected in series (Through Type).

The 942 is designed for use with low pressure air lines and for applications requiring the removal of electrostatically attracted dust and/or static neutralisation. It is particularly suited to applications on sheet feeder and delivery systems. The 942 is powered by the Model 905.

Features

Rapid decay times

Only maintenance requirement is periodic cleaning around emitter pin

Small and compact

Benefits

Highly effective static neutralisation

Easy maintenance with minimum downtime

Easy to locate and install in confined spaces

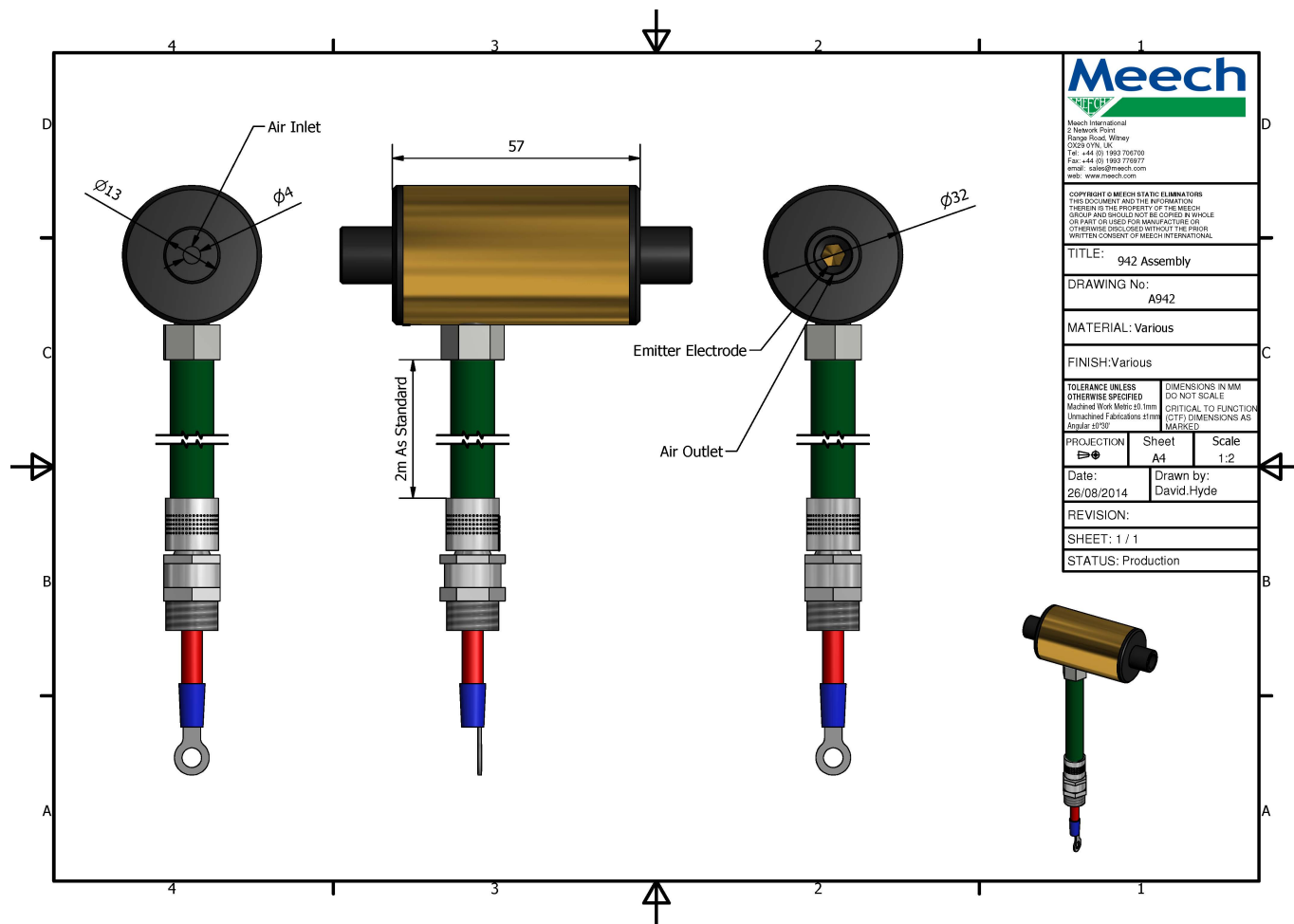
Technical Characteristics

| | |
|---------------------|---|
| Weight | 400gms |
| Operating voltage | 5.0kV |
| Construction | Brass body with moulded plastic inserts |
| Max temperature | 85°C |
| Air pipe connection | 12mm ID flexible |
| Dimensions - body | 32mm outer diameter x 56mm long |
| Max air pressure | 30 psi |

Product shown in this document may be covered by one or more patents, patents applied for and/or registered designs and/or trade marks. For further information please refer to our Head Office or visit www.meech.com.

Product Data Sheet

Published Date: 13.06.2013



Meech International
 2 Network Point
 Range Road, Wilsey
 OX28 0YH, UK
 Tel: +44 (0) 1993 706700
 Fax: +44 (0) 1993 706717
 email: sales@meech.com
 web: www.meech.com

COPYRIGHT © MEECH STATIC ELIMINATORS
 THIS DOCUMENT AND THE INFORMATION
 THEREIN IS THE PROPERTY OF THE MEECH
 GROUP AND SHOULD NOT BE COPIED IN WHOLE
 OR PART OR USED FOR MANUFACTURE OR
 OTHERWISE DISCLOSED WITHOUT THE PRIOR
 WRITTEN CONSENT OF MEECH INTERNATIONAL.

TITLE: 942 Assembly

DRAWING No: A942

MATERIAL: Various

FINISH: Various

TOLERANCE UNLESS OTHERWISE SPECIFIED
 Mechanical Work Metric: ±0.1mm
 Unmachined Fabrications ±1mm
 Angular: ±1°30' DIMENSIONS IN MM
DO NOT SCALE
 CRITICAL TO FUNCTION
 (CTF) DIMENSIONS AS
 MARKED

PROJECTION: Sheet: A4 Scale: 1:2

Date: 26/08/2014 Drawn by: David.Hyde

REVISION:

SHEET: 1 / 1

STATUS: Production

Product shown in this document may be covered by one or more patents, patents applied for and/or registered designs and/or trade marks. For further information please refer to our Head Office or visit www.meech.com.

Meech International

UK: +44 1993 706 700
 Hungary: +36 1 7977039

US: +1 330 564 2000
 China: +86 400 820 0102

Belgium: +32 (0)80 670 204
 India: +91 20-26159641

email: sales@meech.com
 web: www.meech.com

