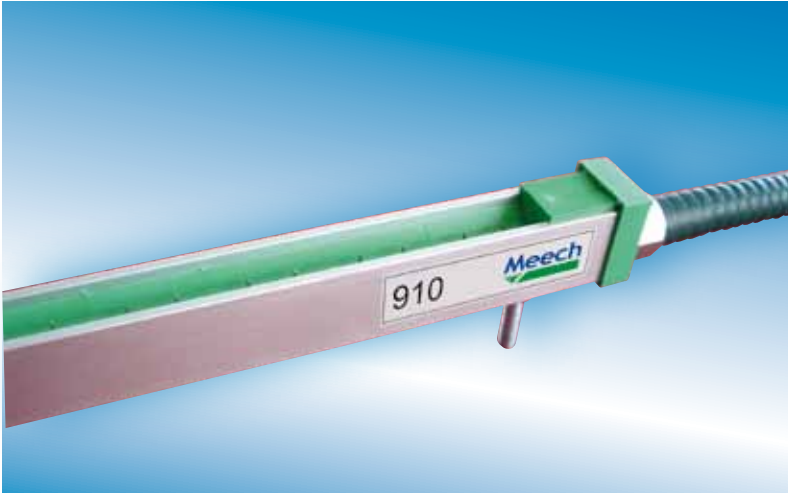


910

Shockless Bar



The **Model 910 bar** incorporates an inductively coupled design that achieves powerful static neutralisation with completely shockproof operation.

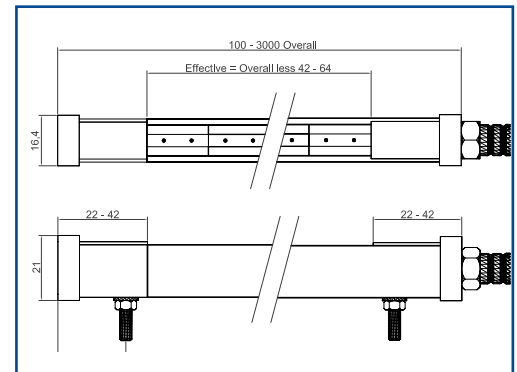
The design is compact, yet rugged, for most industrial applications and has become an industrial standard for reliable, cost effective neutralisation.

The **Model 910** is powered by the **Model 904** (refer to separate datasheet).

910/4/EN-11/09

Technical Characteristics

Dimensions (h x w x l)	Cross section - 16mm x 20mm l - 80 to 4000mm in 20mm steps
Weight	Approx 750g per 1m
Construction	Anodised aluminium
Maximum operating temperature	85°C
Mounting	M4 x 20mm studs
HT Cable	2m shielded in flexible conduit; longer lengths can be ordered
Emitters	Stainless steel moulded in polypropylene
Operating voltage	7.0kV
Pin energy	Approx 0.15 mJ



Feature

Benefit

Powerful ion production	Fast charge decay times
Small cross-section	Suitable for installations where space is limited
Short-circuit proof	Accidental earthing of one electrode allows the remaining electrodes to continue to operate
Sealed versions available	Ensures reliable operation in harsh environments

Product shown in this document may be covered by one or more patents, patents applied for and/or registered designs and/or trade marks. For further information please refer to our Head Office or visit www.meech.com.

Meech International

UK: +44 1993 706 700
Hungary: +36 27 535 075

USA: +1 330 564 2000
China: +86 21 6405 7737

Belgium: +32 8067 0204

email: sales@meech.com
web: www.meech.com

